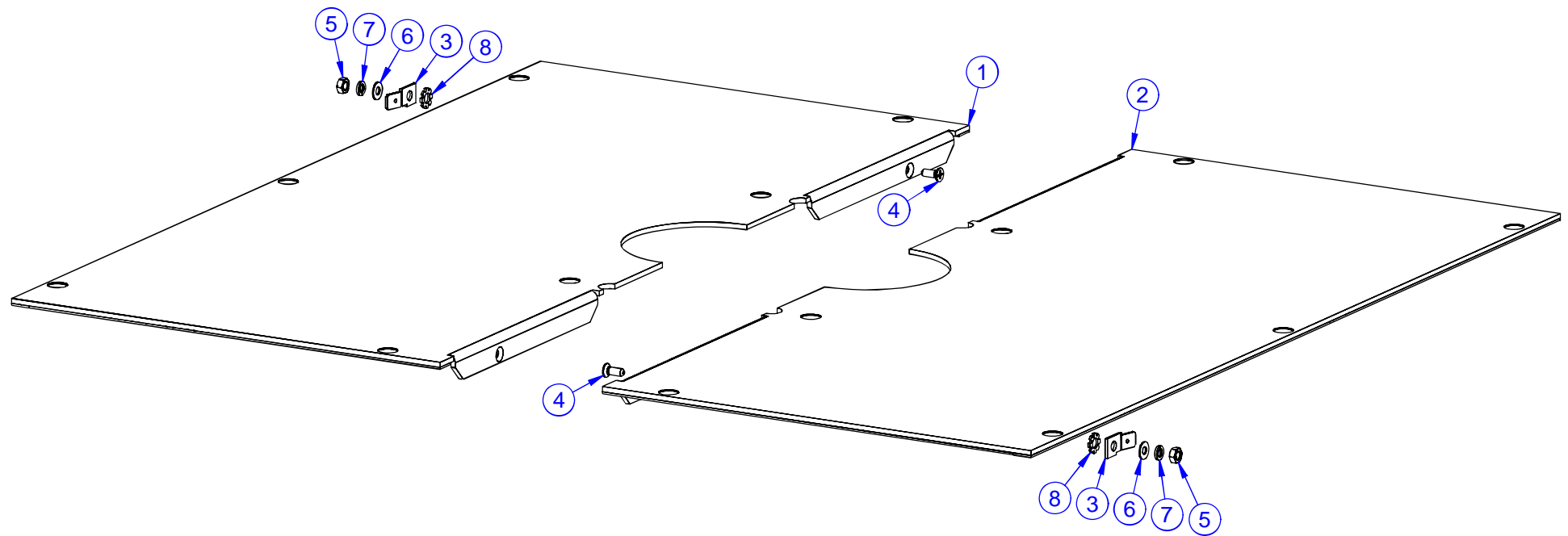
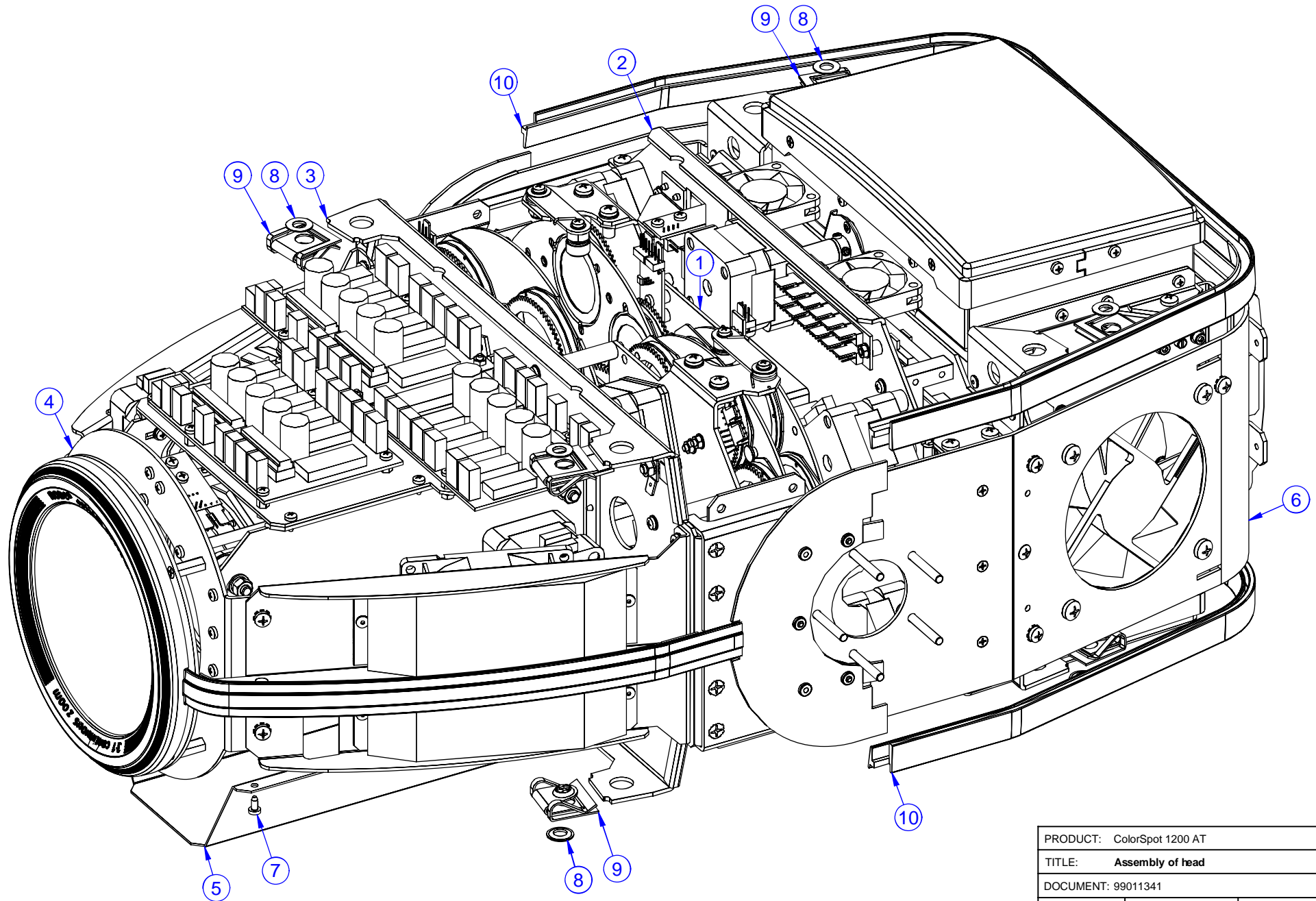


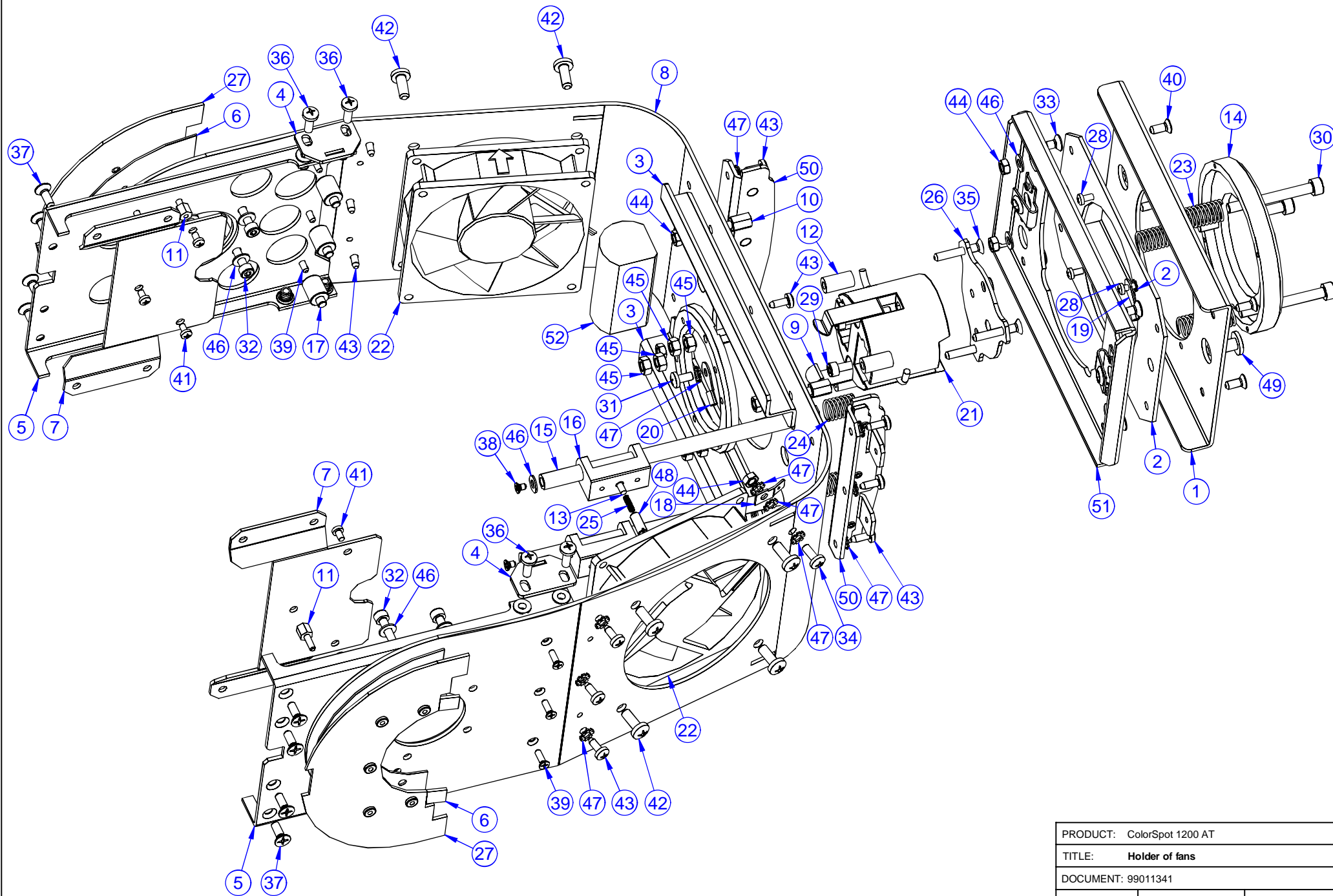
PRODUCT: ColorSpot 1200 AT		
TITLE: Covers		
DOCUMENT: 99011342		
VERSION: B	DATE: 26.9.2006	SHEET: 1 OF 21



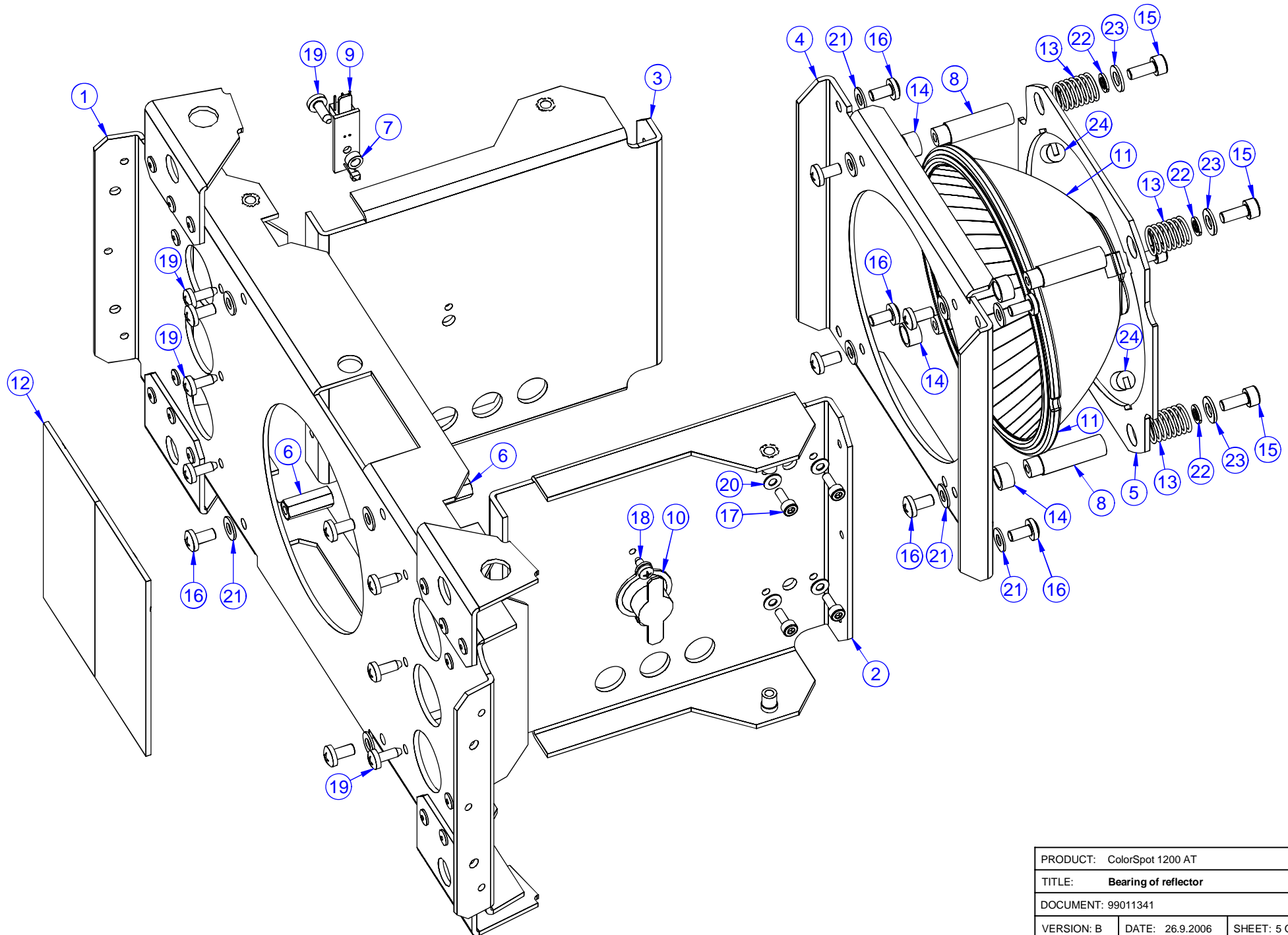
PRODUCT: ColorSpot 1200 AT		
TITLE: Covers A, B		
DOCUMENT: 99010699		
VERSION: B	DATE: 26.9.2006	SHEET: 2 OF 21



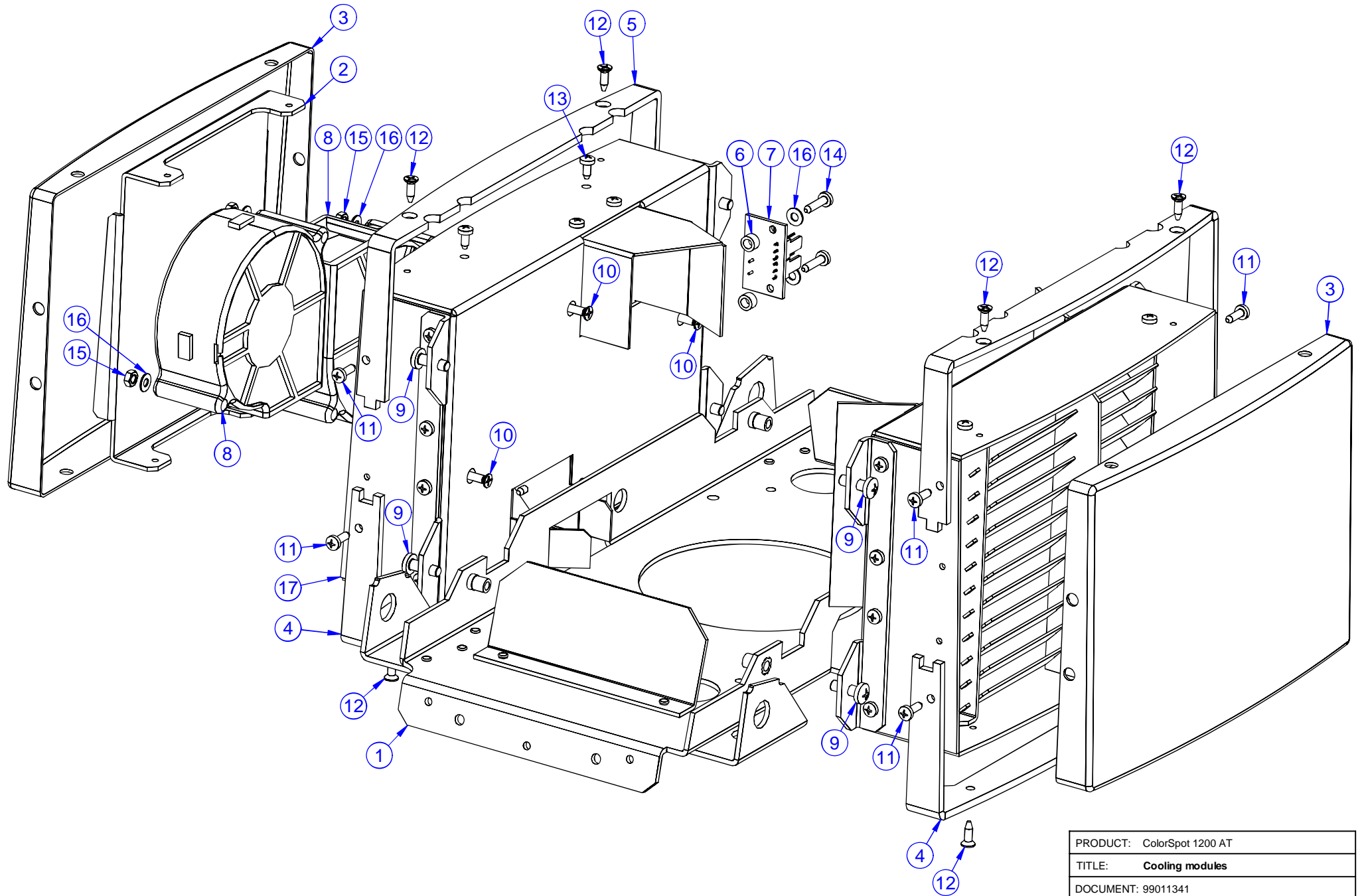
PRODUCT: ColorSpot 1200 AT		
TITLE: Assembly of head		
DOCUMENT: 99011341		
VERSION: B	DATE: 26.9.2006	SHEET: 3 OF 21



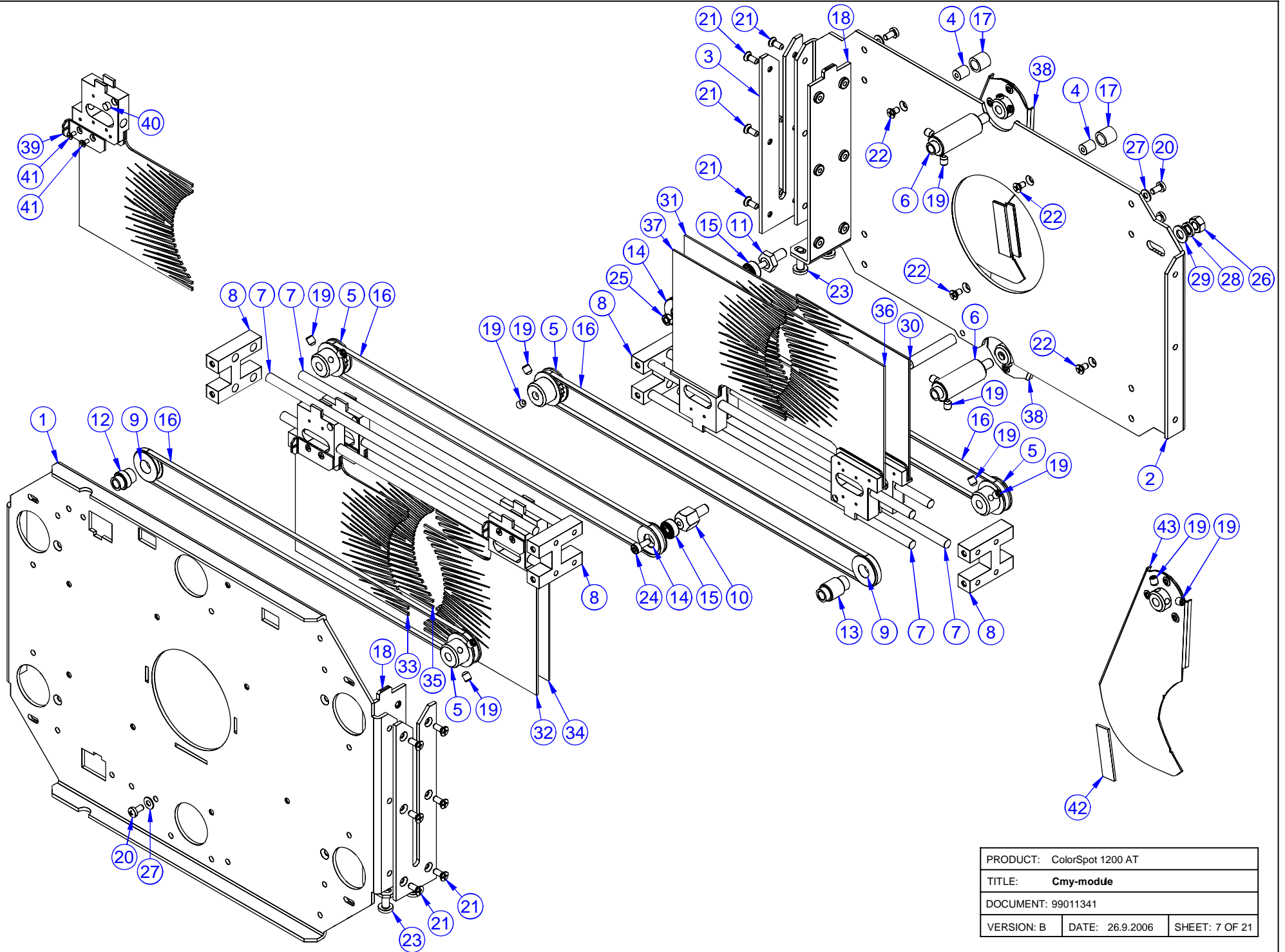
PRODUCT: ColorSpot 1200 AT		
TITLE: Holder of fans		
DOCUMENT: 99011341		
VERSION: B	DATE: 26.9.2006	SHEET: 4 OF 21



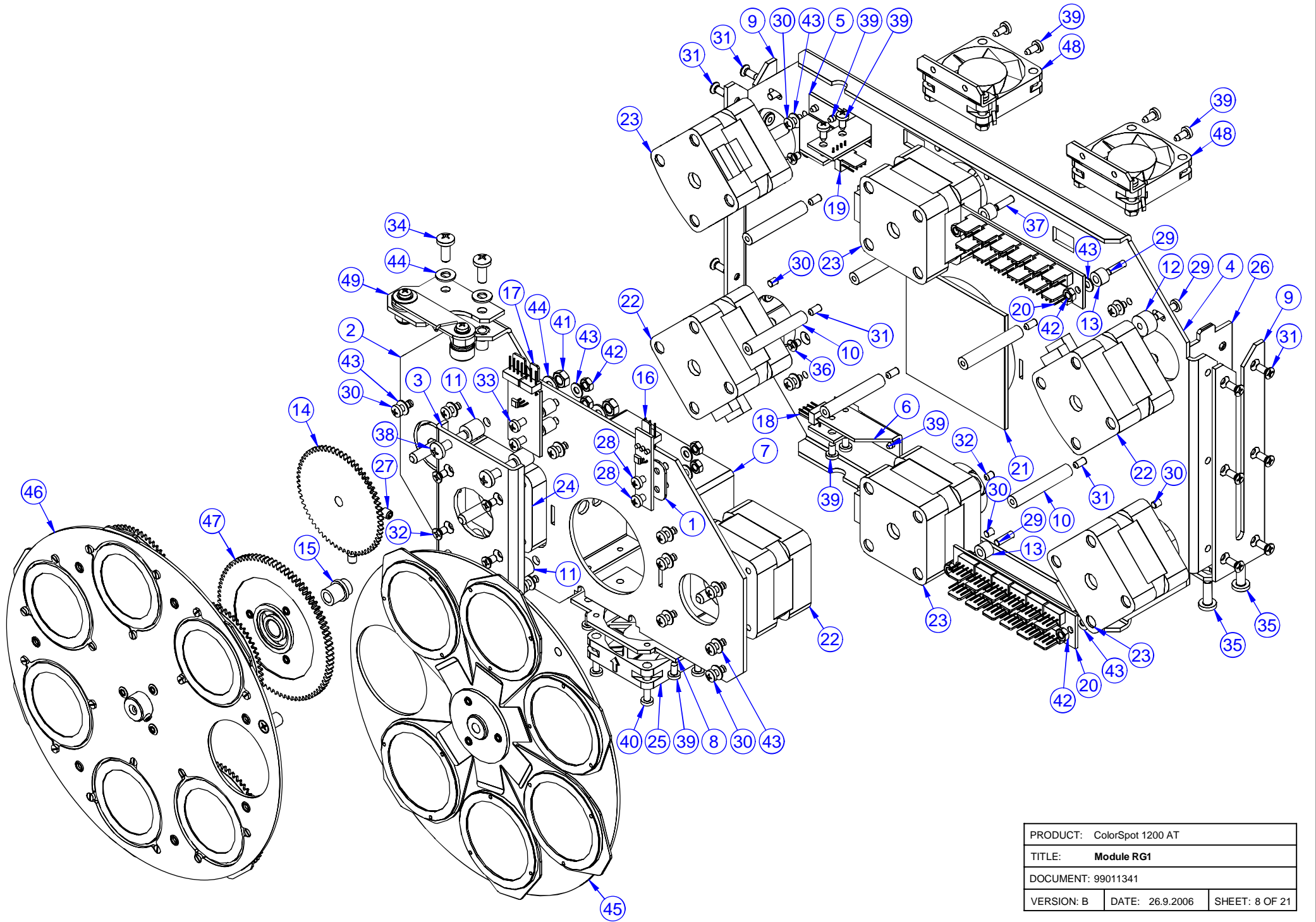
PRODUCT: ColorSpot 1200 AT		
TITLE: Bearing of reflector		
DOCUMENT: 99011341		
VERSION: B	DATE: 26.9.2006	SHEET: 5 OF 21



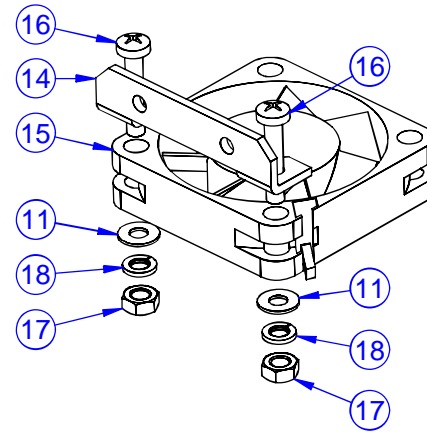
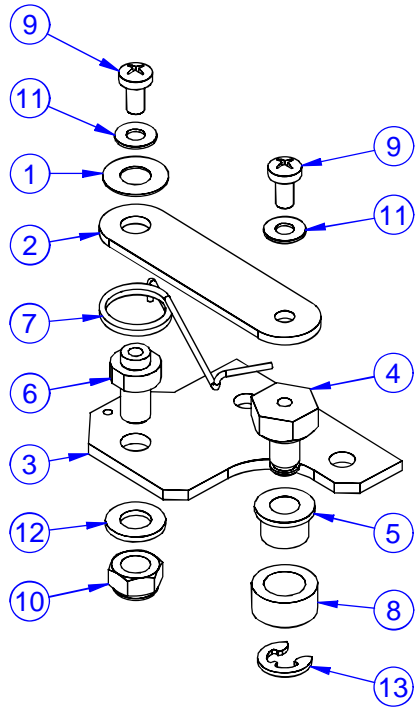
PRODUCT: ColorSpot 1200 AT		
TITLE: Cooling modules		
DOCUMENT: 99011341		
VERSION: B	DATE: 26.9.2006	SHEET: 6 OF 21



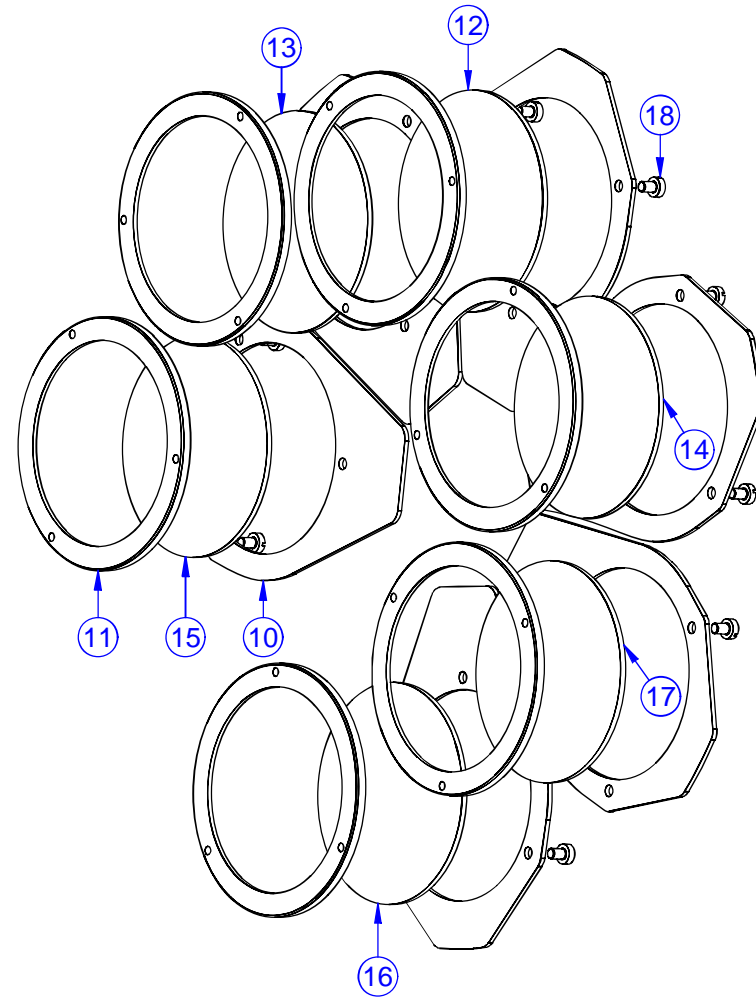
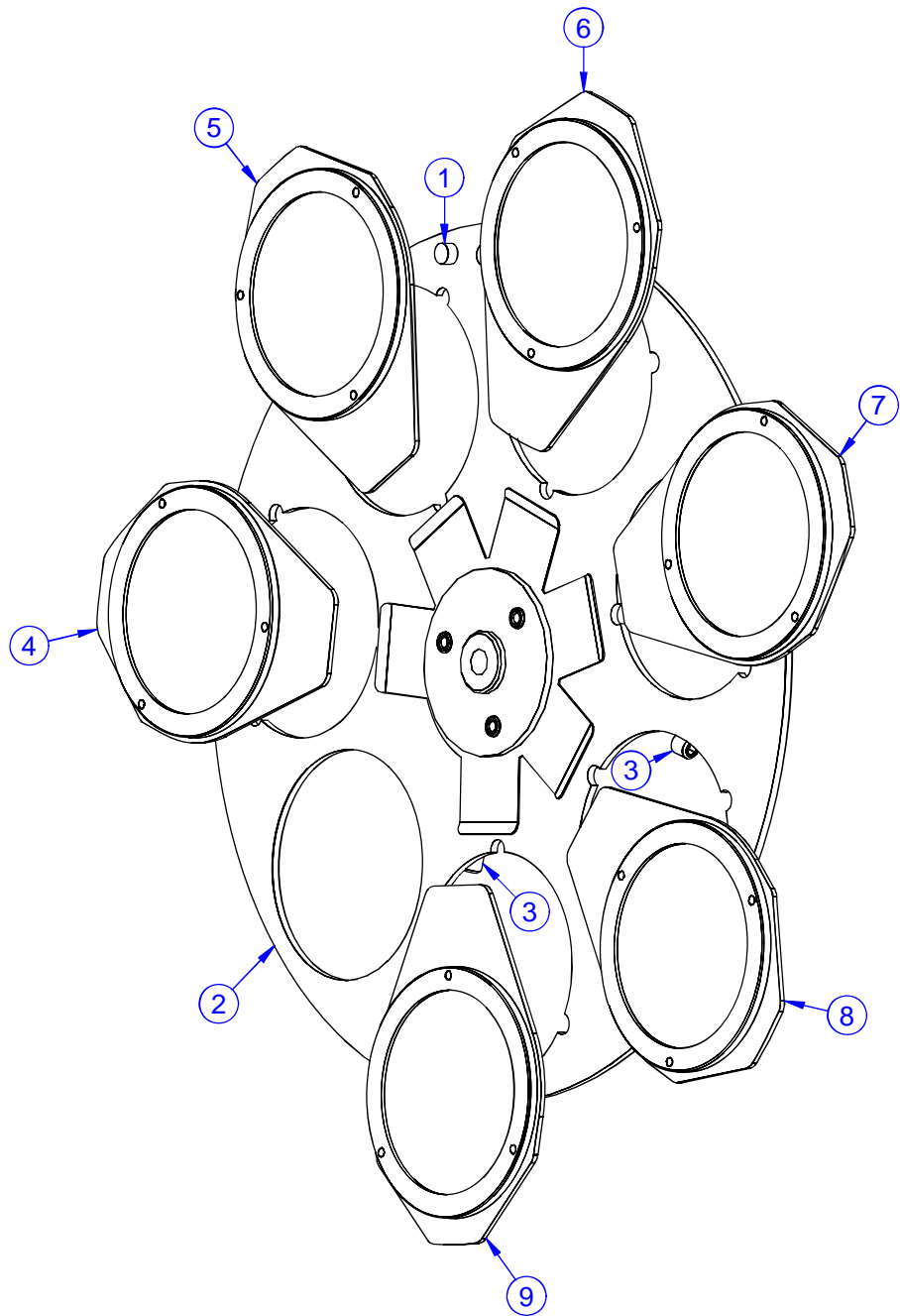
PRODUCT: ColorSpot 1200 AT		
TITLE: Cmy-module		
DOCUMENT: 99011341		
VERSION: B	DATE: 26.9.2006	SHEET: 7 OF 21



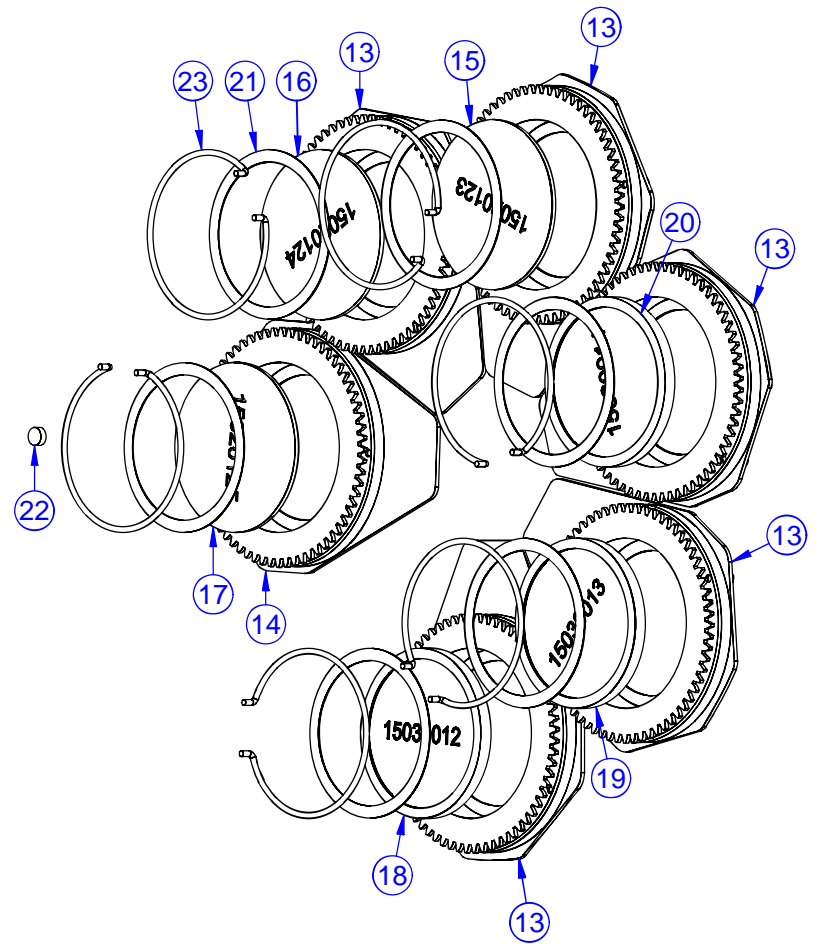
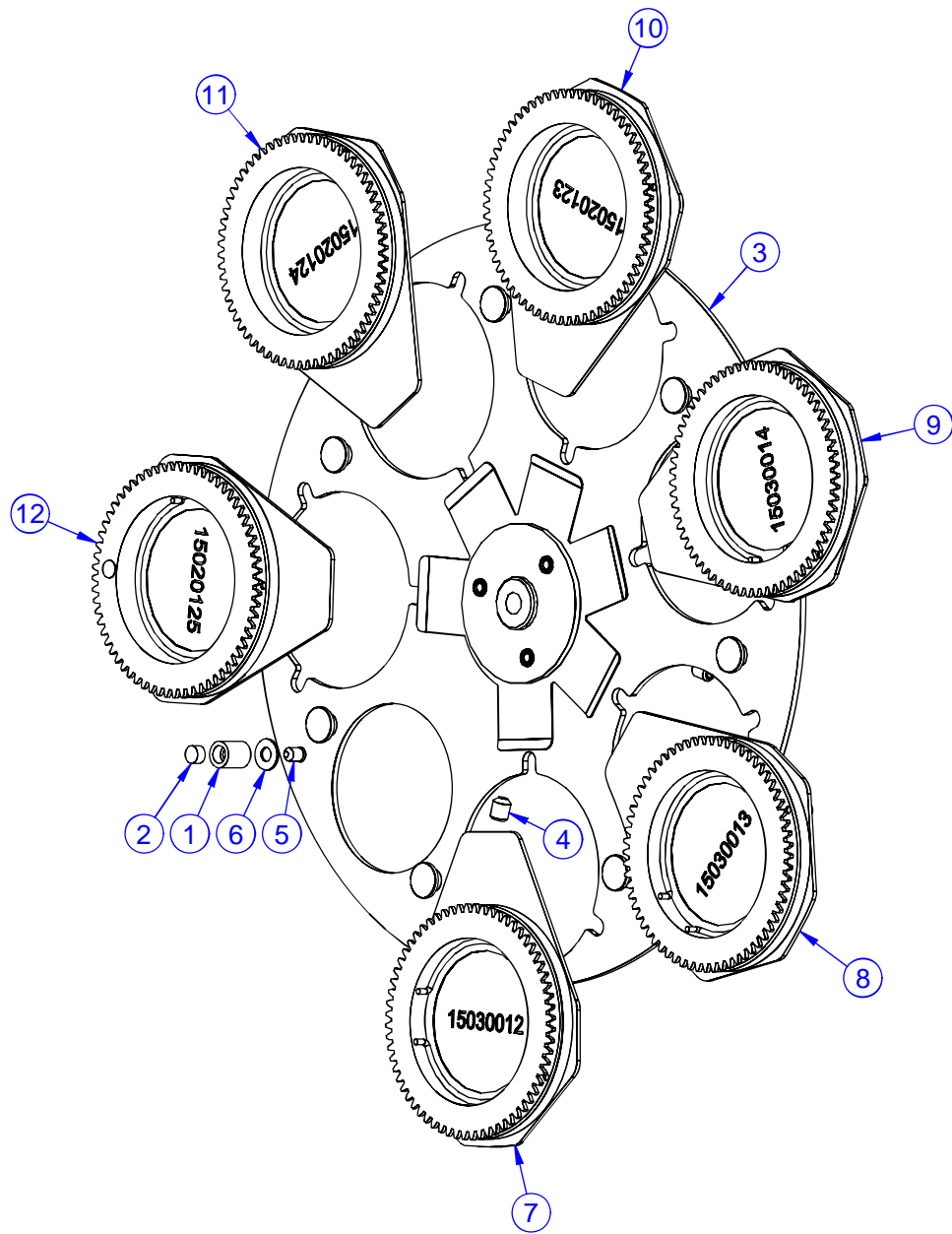
PRODUCT: ColorSpot 1200 AT		
TITLE: Module RG1		
DOCUMENT: 99011341		
VERSION: B	DATE: 26.9.2006	SHEET: 8 OF 21



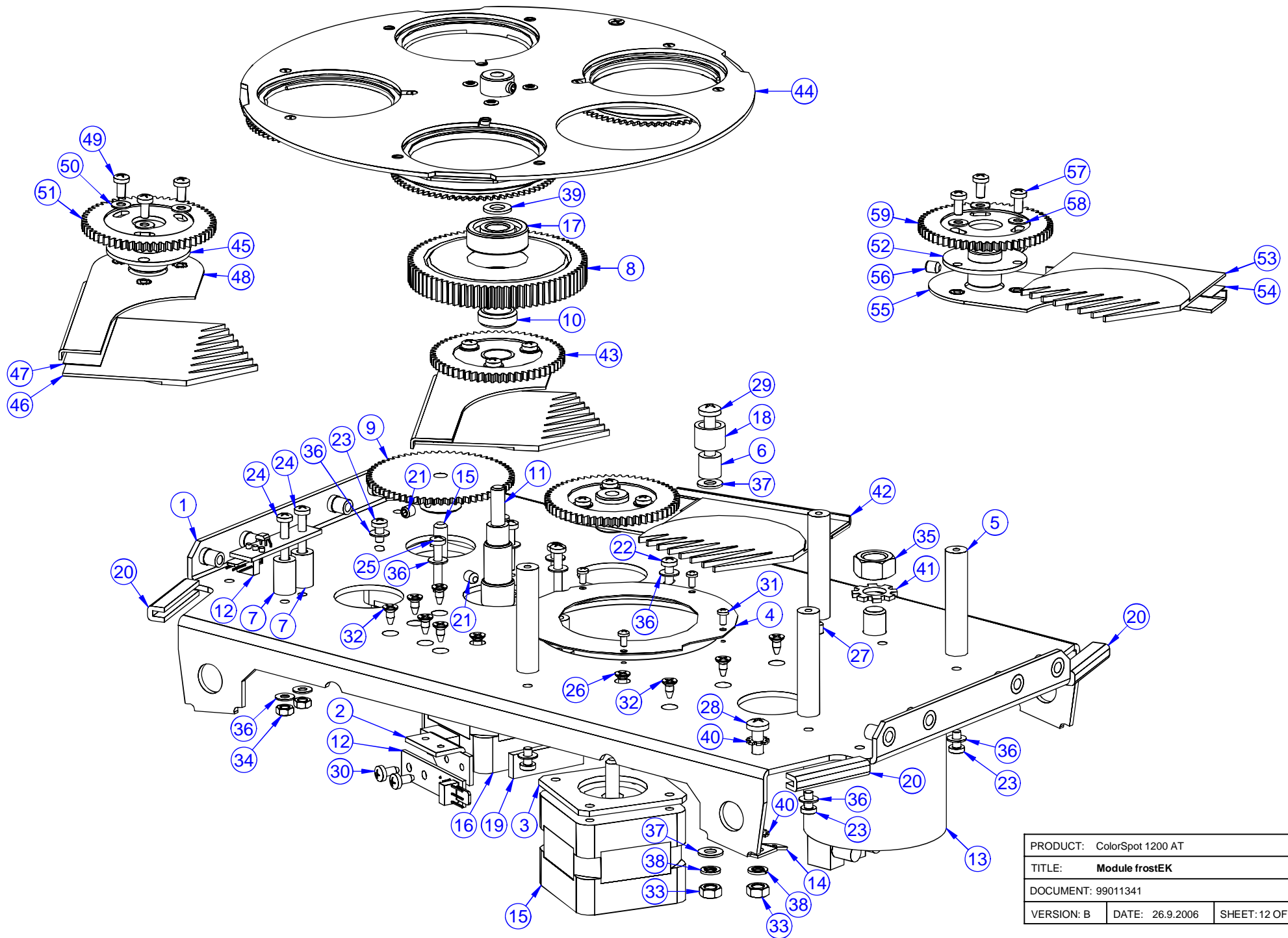
PRODUCT: ColorSpot 1200 AT		
TITLE: Stabilizer RG, Cooler of CMY		
DOCUMENT: 99010820, 99010647		
VERSION: B	DATE: 26.9.2006	SHEET: 9 OF 21



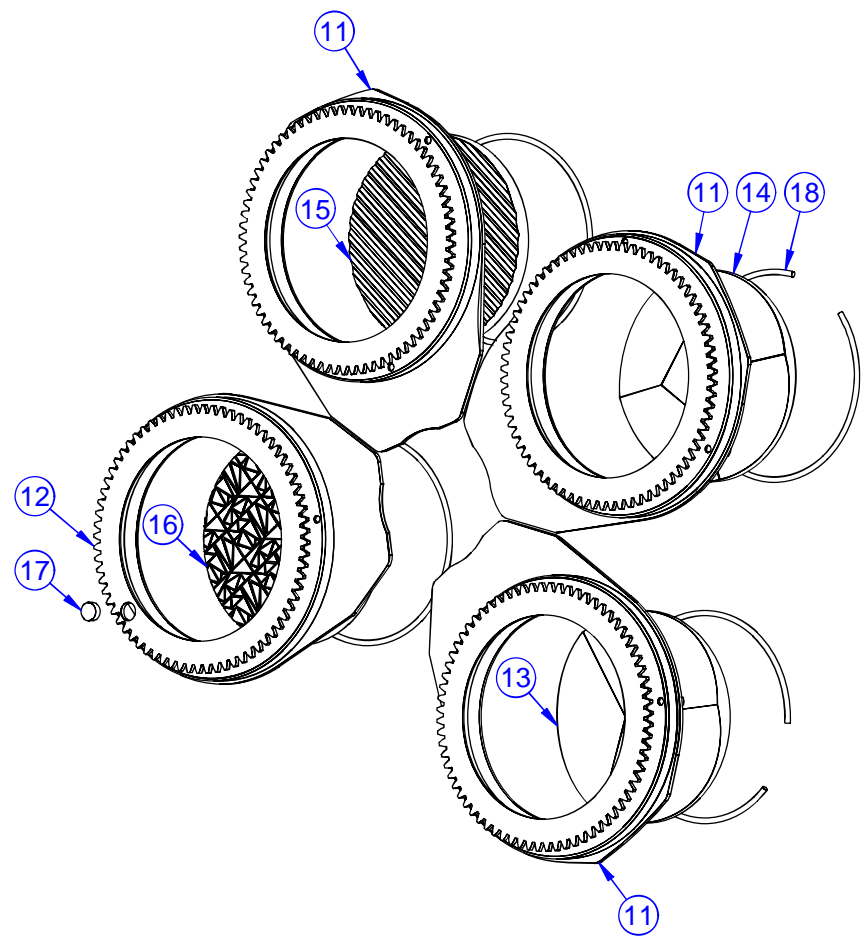
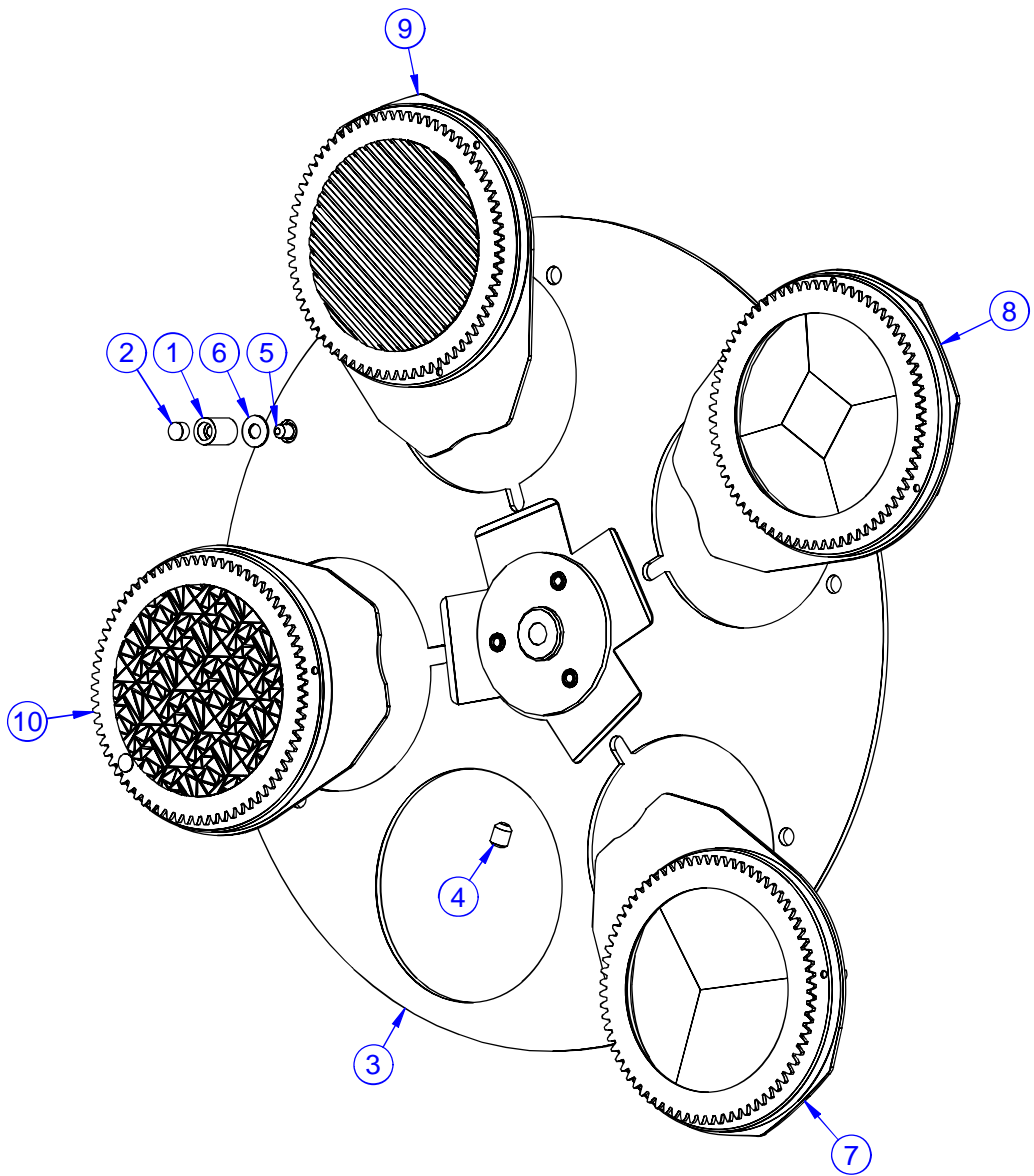
PRODUCT: ColorSpot 1200 AT		
TITLE: Wheel Color 6+1 assembled		
DOCUMENT: 99010566		
VERSION: B	DATE: 26.9.2006	SHEET: 10 OF 21



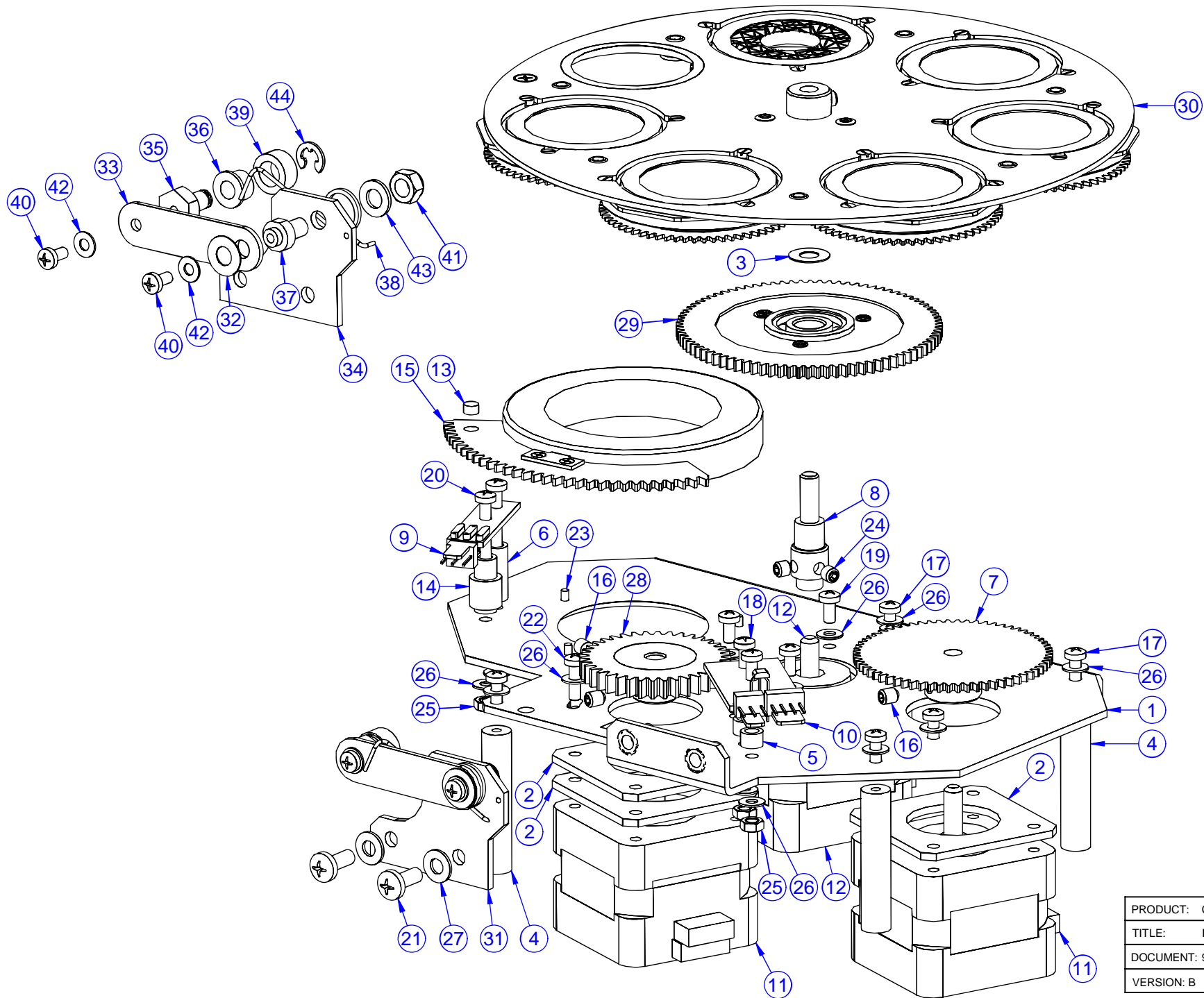
PRODUCT: ColorSpot 1200 AT		
TITLE: Wheel Gobo RG 6+1 assembled		
DOCUMENT: 99010573		
VERSION: B	DATE: 26.9.2006	SHEET: 11 OF 21



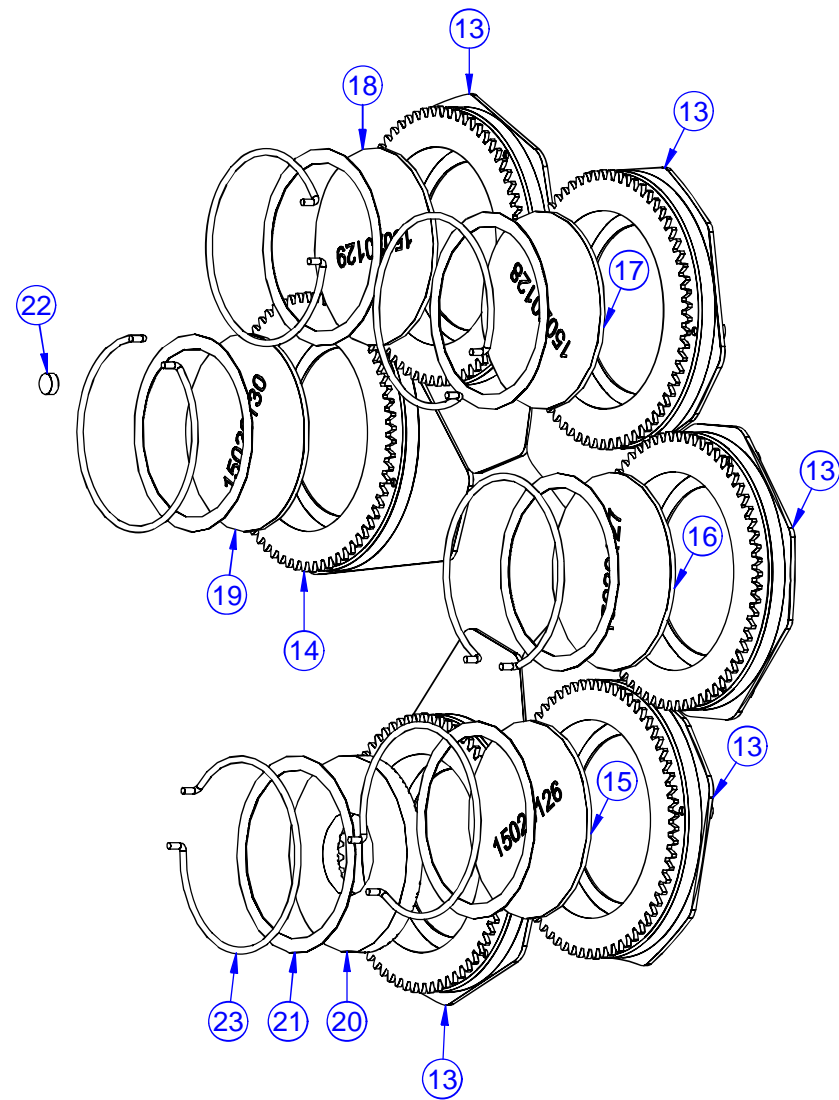
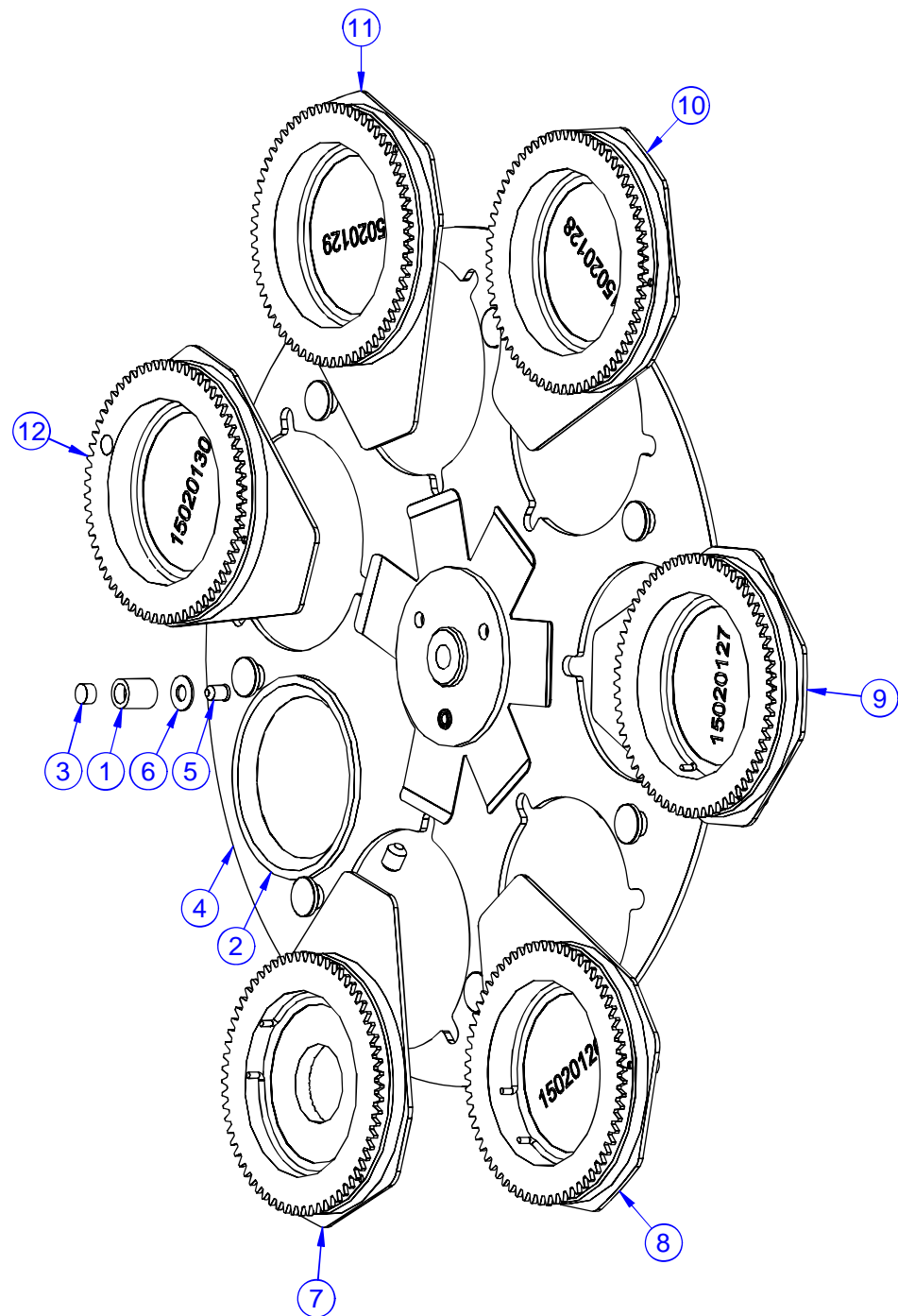
PRODUCT: ColorSpot 1200 AT		
TITLE: Module frostEK		
DOCUMENT: 99011341		
VERSION: B	DATE: 26.9.2006	SHEET: 12 OF 21



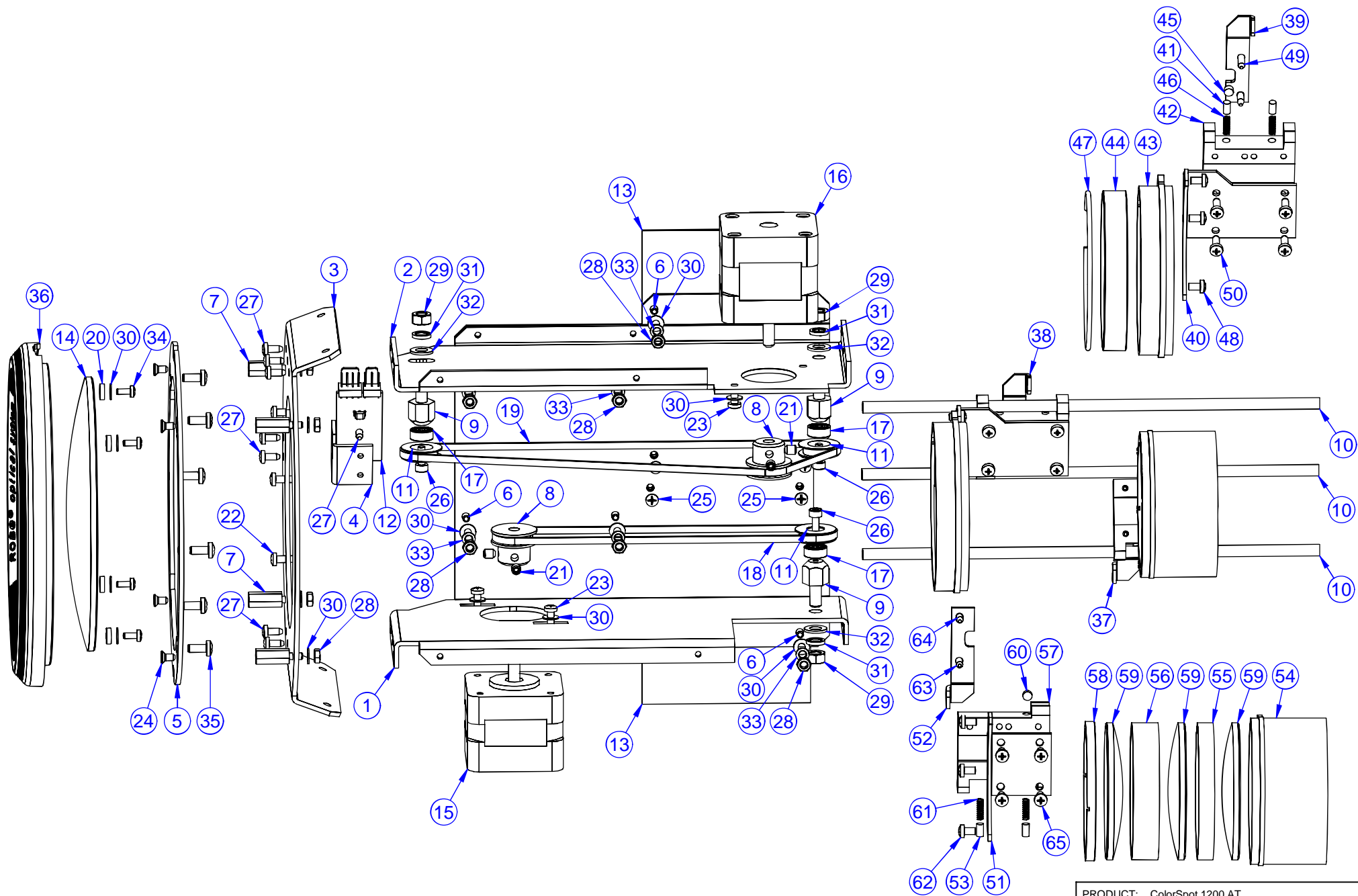
PRODUCT: ColorSpot 1200 AT		
TITLE: Wheel Effect 4+1 with changin		
DOCUMENT: 99010596		
VERSION: B	DATE: 26.9.2006	SHEET: 13 OF 21



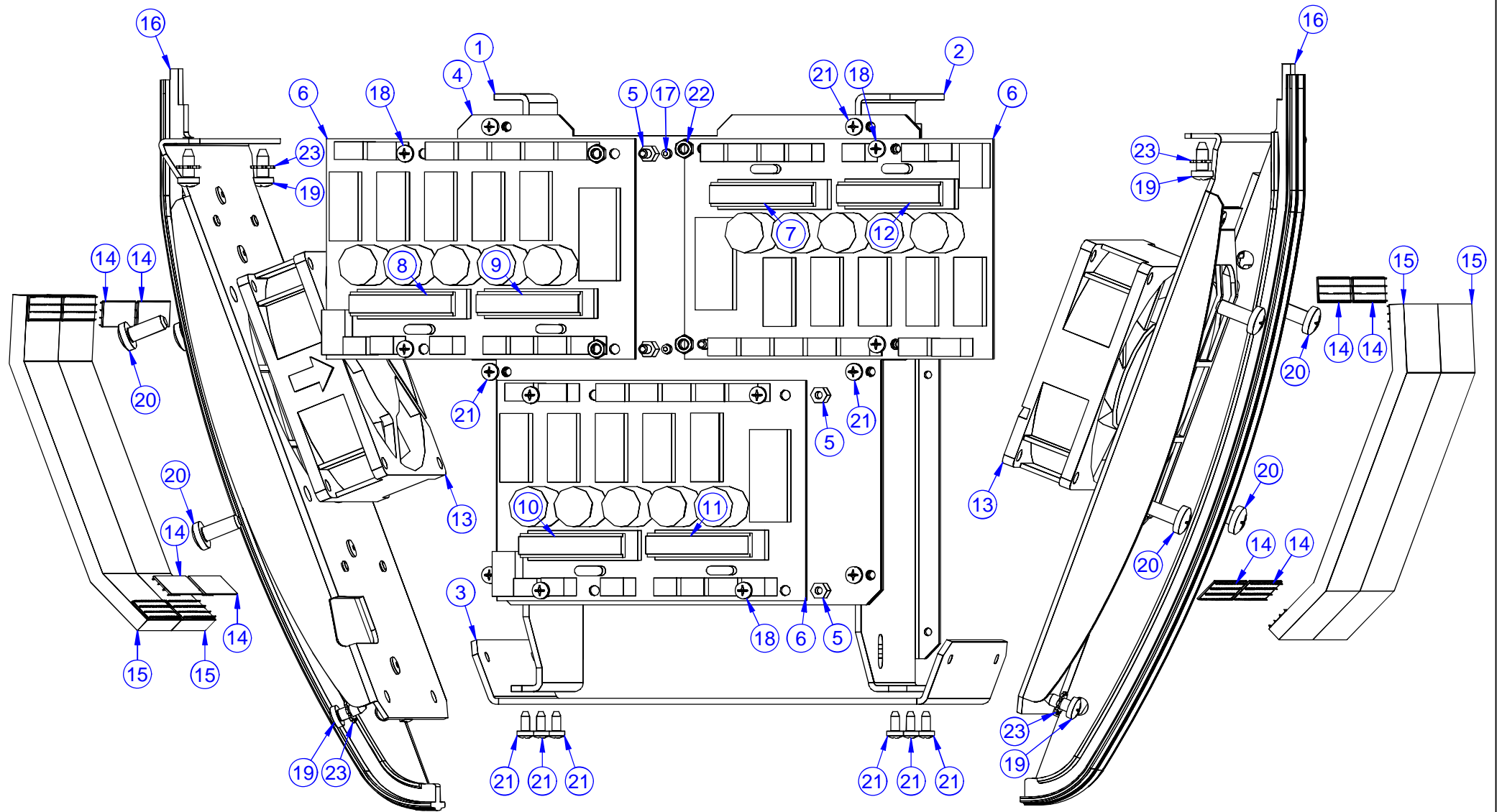
PRODUCT: ColorSpot 1200 AT		
TITLE: Module RG2		
DOCUMENT: 99011341		
VERSION: B	DATE: 26.9.2006	SHEET: 14 OF 21



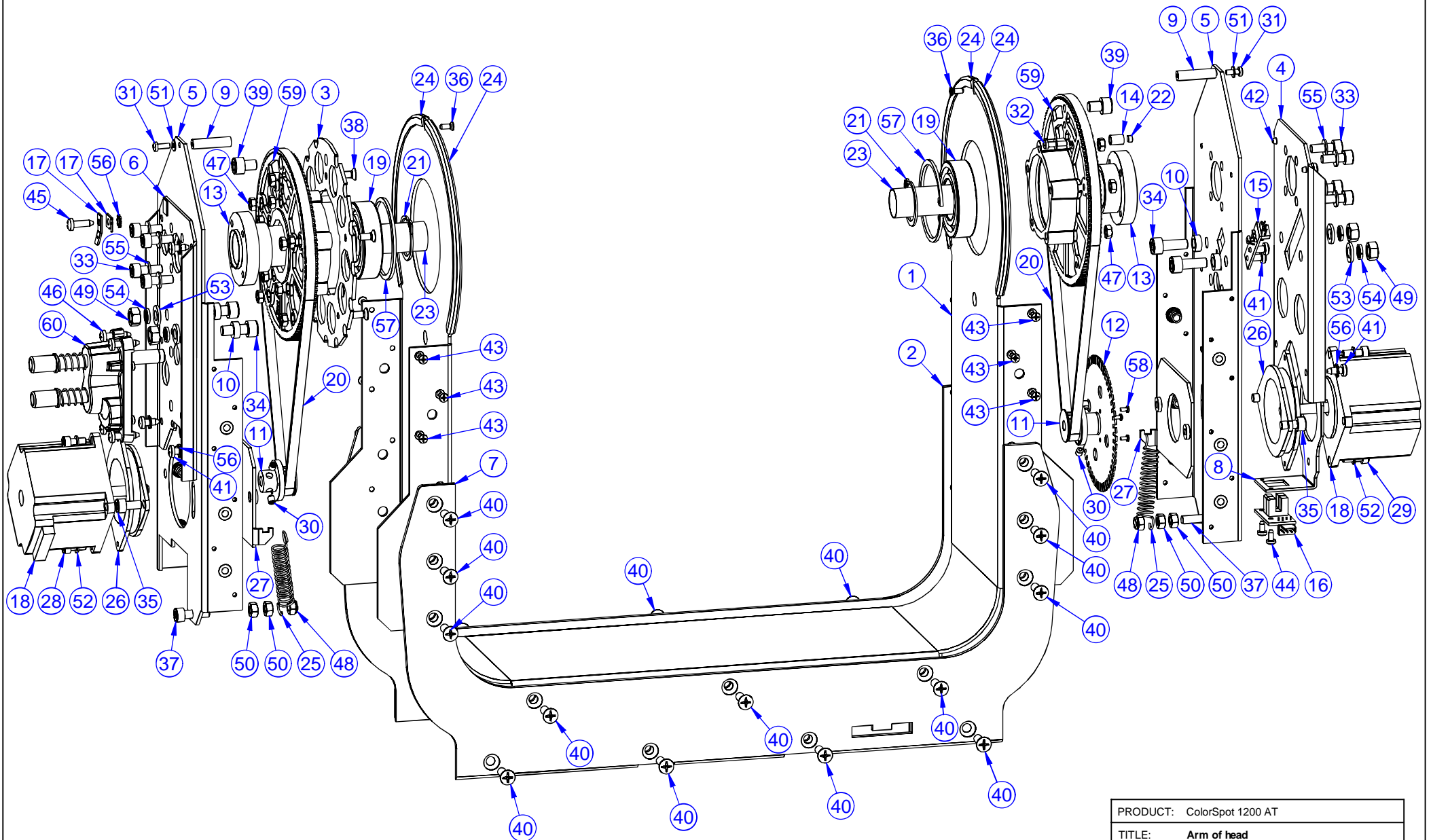
PRODUCT: ColorSpot 1200 AT		
TITLE: Wheel Gobo RG 6+1 "B" with changing		
DOCUMENT: 99010607		
VERSION: B	DATE: 26.9.2006	SHEET: 15 OF 21



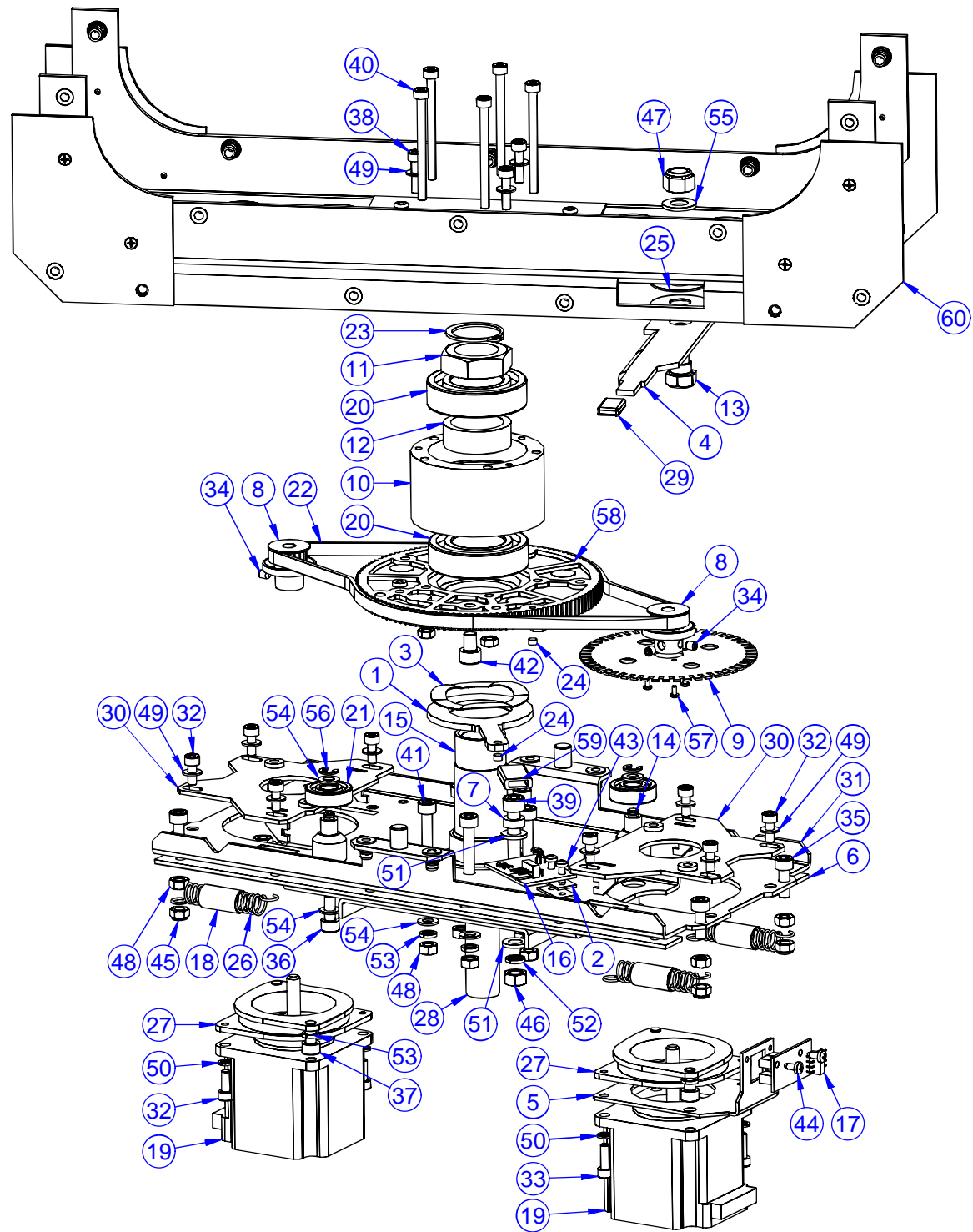
PRODUCT: ColorSpot 1200 AT		
TITLE: Focus, Zoom, Objectiv		
DOCUMENT: 99011341		
VERSION: B	DATE: 13.9.2007	SHEET: 16 OF 21



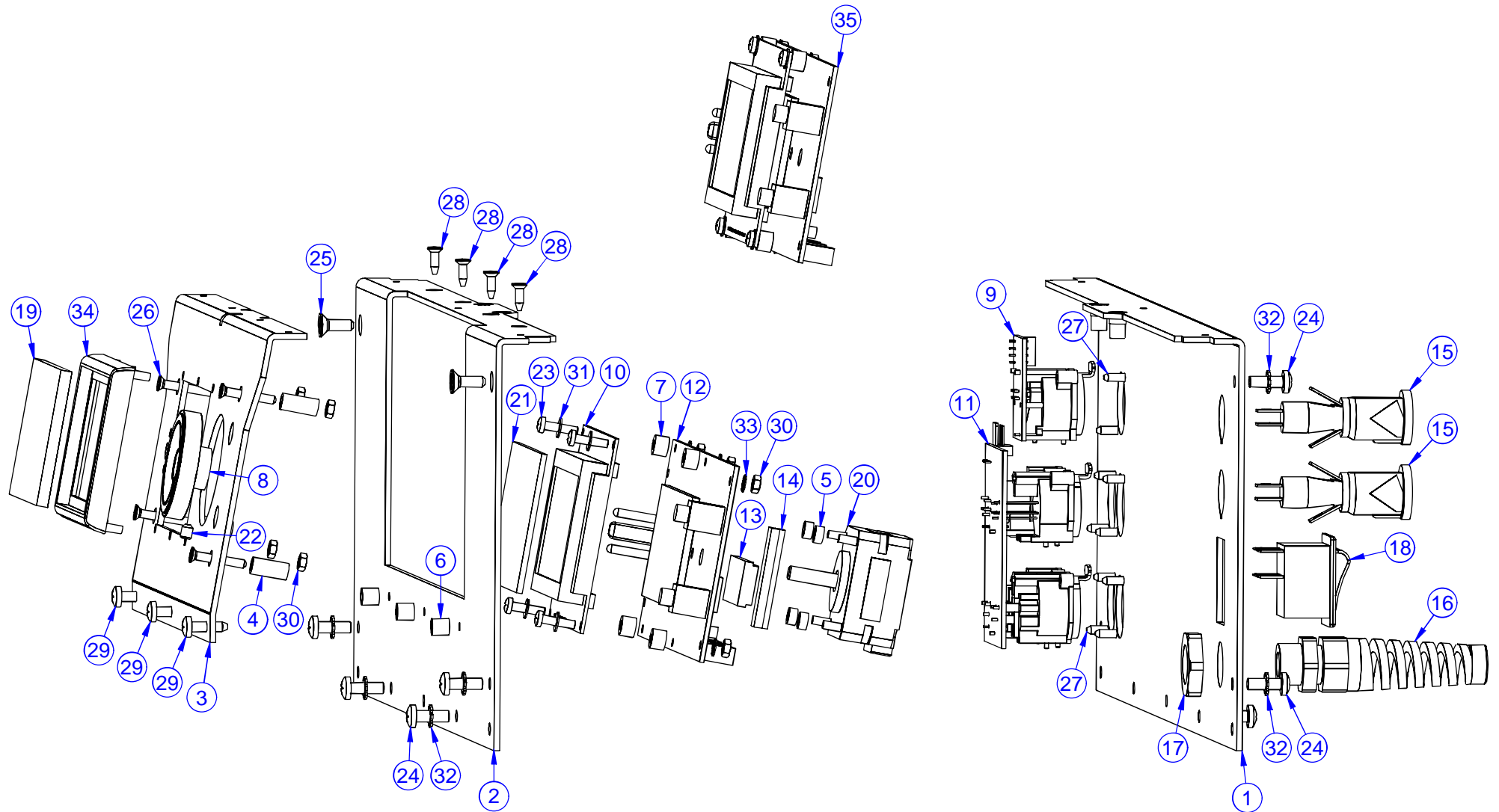
PRODUCT: ColorSpot 1200 AT		
TITLE: Holder of electronic		
DOCUMENT: 99011341		
VERSION: B	DATE: 26.9.2006	SHEET: 17 OF 21



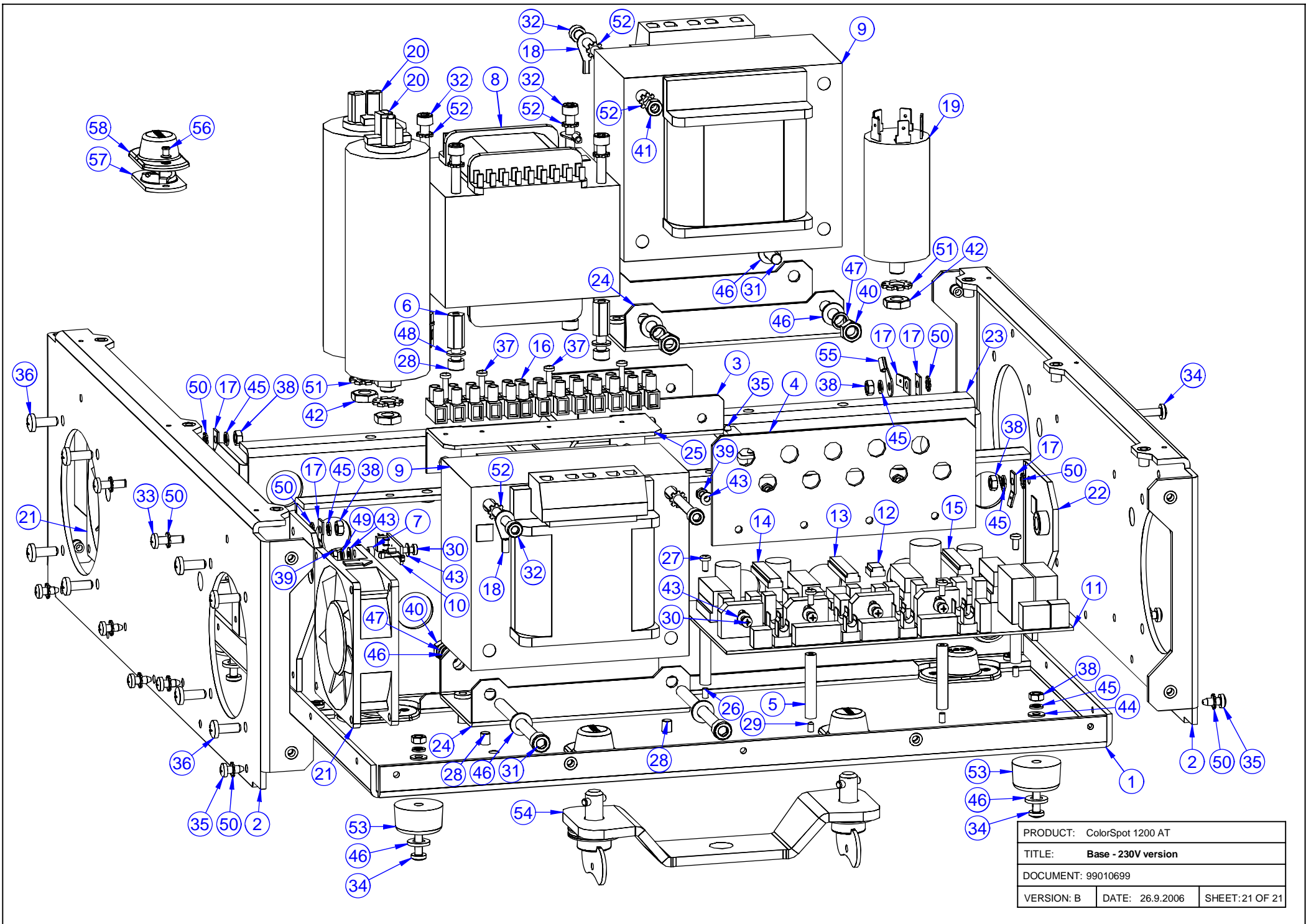
PRODUCT: ColorSpot 1200 AT		
TITLE: Arm of head		
DOCUMENT: 99011543		
VERSION: B	DATE: 26.9.2006	SHEET: 18 OF 21



PRODUCT: ColorSpot 1200 AT		
TITLE: Axe "X"		
DOCUMENT: 99010689		
VERSION: B	DATE: 26.9.2006	SHEET: 19 OF 21



PRODUCT: ColorSpot 1200 AT		
TITLE: Front and rear panel of base 230V		
DOCUMENT: 99010699		
VERSION: B	DATE: 26.9.2006	SHEET: 20 OF 21



PRODUCT: ColorSpot 1200 AT		
TITLE: Base - 230V version		
DOCUMENT: 99010699		
VERSION: B	DATE: 26.9.2006	SHEET: 21 OF 21